

**ftServer
Illustrated
Parts**

Stratus® ftServer™ 3210/3220 Illustrated Parts User Instructions

**User
Instructions**

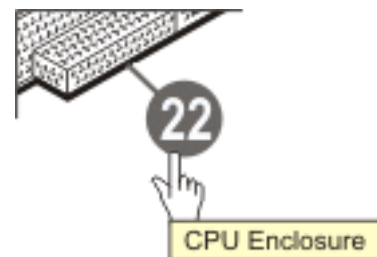
This site provides exploded-view illustrations of system hardware components. Navigate through the major subsystems by selecting the titles on the left.

**Revision/
Notice**

Use the part list on the right to identify Customer-Replaceable Units (CRUs), Field-Replaceable Units (FRUs), and Distributor-Replaceable Units (DRUs).

**System
Base (Front)**

Most of the illustrations contain tag numbers. Direct your cursor over the numbered tags on an illustration to display a component's name. Selecting a tag will move the corresponding part number to the top of the part list.



**System
Base
(Inside-
Front)**

**System
Base (Rear)**

Main Board

**Power
Board Tray**

CPU Module

PCI Module

**Device
Module**

Tape Tray

[contact](#) | [site feedback](#) | [copyright & trademark](#) | [privacy policy](#)

Stratus® ftServer™ 3210/3220 Illustrated Parts Revision/Notice

ftServer
Illustrated Parts

User Instructions

Revision/Notice

System Base
(Front)

System Base
(Inside-Front)

System Base
(Rear)

Main Board

Power Board Tray

CPU Module

PCI Module

Device Module

Tape Tray

Revision History:

Date	Section	Revision
7/7/05	Part List	Added Super Disk (240MB) P/N 856-120356-2400

Notice:

The information contained in this document is subject to change without notice.

Stratus Computer, Inc. makes no warranty of any kind with regard to this material, including, but not limited to, the implied warranties of merchantability and fitness for a particular purpose. Stratus Computer, Inc., shall not be liable for errors contained herein or incidental or consequential damages in connection with the furnishing, performance, or use of this material.

Software described in Stratus documents (a) is the property of Stratus Computer, Inc., or the third party, (b) is furnished only under license, and (c) may be copied or used only as expressly permitted under the terms of the license.

This document is protected by copyright. All rights are reserved. No part of this document may be copied, reproduced, or translated, either mechanically or electronically, without the prior written consent of Stratus Computer, Inc.

Stratus, Continuum, Continuous Processing, StrataNET, FTX, and the Stratus logo are registered trademarks of Stratus Computer, Inc. XA, XA/R, StrataLINK, RSN, SINAP, Isis, Isis Distributed, RADIO, and the SQL/2000 logo are trademarks of Stratus Computer, Inc.

- Hewlett-Packard and HP are registered trademarks of Hewlett-Packard.
- IBM PC is a registered trademark of International Business Machines Corporation.
- Sun is a registered trademark of Sun Microsystems, Inc.
- UNIX is a registered trademark of X/Open Company, Ltd., in the U.S.A. and other countries.
- PA/RISC is a trademark of Hewlett-Packard.

All trademarks are the property of their respective owners.

Manual Name: Stratus ftServer 3210/3220 Illustrated Parts Breakdown
Published: June 2001

© 2002 Stratus Technologies Bermuda Ltd. All rights reserved.
Customer Service Technical Communications
111 Powdermill Road
Maynard, MA 01754-3409

Warning

The equipment documented in this manual generates and uses radio frequency energy, which if not installed and used in strict accordance with the instructions in this manual, may cause harmful interference to radio communications. The equipment has been tested and found to comply with the limits for a Class A computing device pursuant to Subpart J of Part 15 of FCC rules, which are designed to provide reasonable protection against such interference when operated in a commercial environment.

Operation of this equipment in a residential area is likely to cause interference, in which case the user at his own expense will be required to take whatever measures may be required to correct the interference.

This document contains Stratus Proprietary and Confidential Information. It is provided to you and its use is limited by the terms of your contractual arrangement with Stratus regarding maintenance and diagnostic tools.

[contact](#) | [site feedback](#) | [copyright & trademark](#) | [privacy policy](#)

Stratus® ftServer™ 3210/3220 Illustrated Parts

System Base Front

Direct your cursor over the numbered tags to display a component's name. Selecting a tag will move the corresponding part number to the top of the part list.

ftServer Illustrated Parts

User Instructions

Revision/Notice

System Base (Front)

System Base (Inside-Front)

System Base (Rear)

Main Board

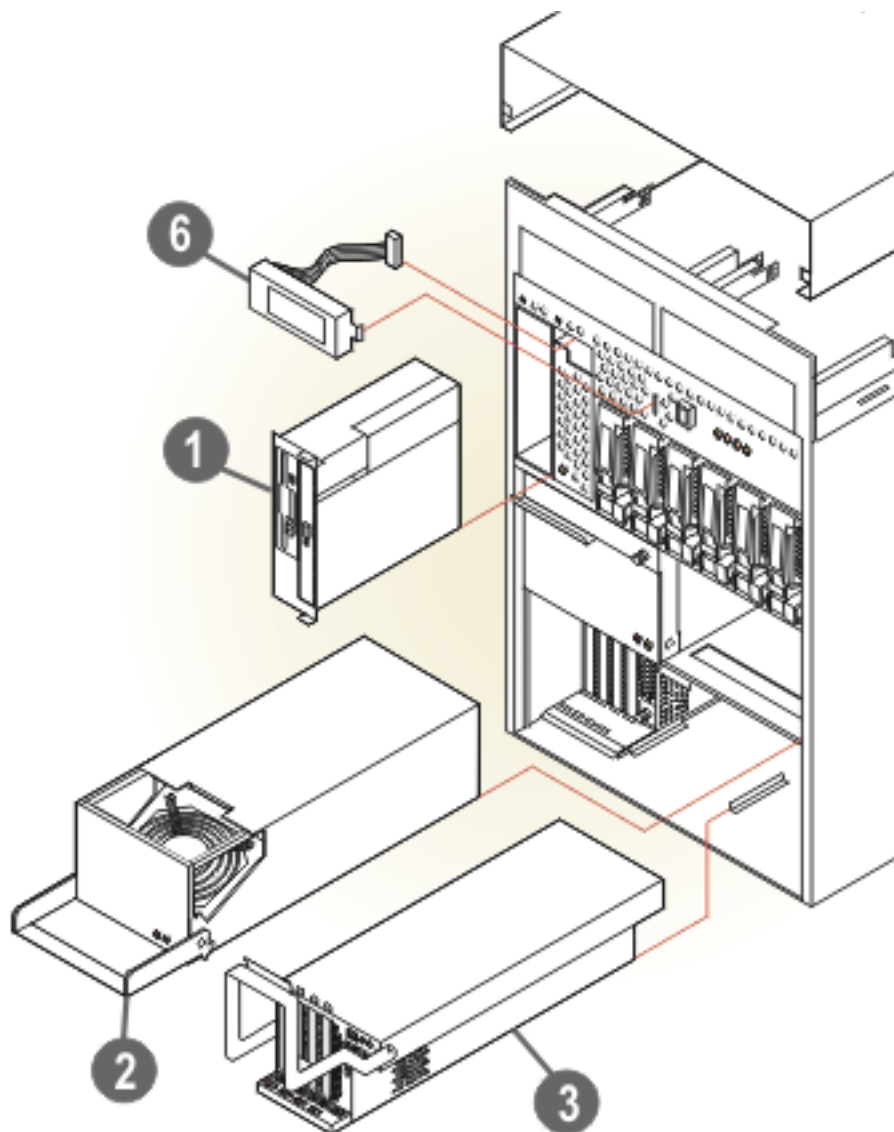
Power Board Tray

CPU Module

PCI Module

Device Module

Tape Tray



[contact](#) | [site feedback](#) | [copyright & trademark](#) | [privacy policy](#)

ftServer Illustrated
Parts

User Instructions

Revision/Notice

System Base (Front)

System Base (Inside-
Front)

System Base (Rear)

Main Board

Power Board Tray

CPU Module

PCI Module

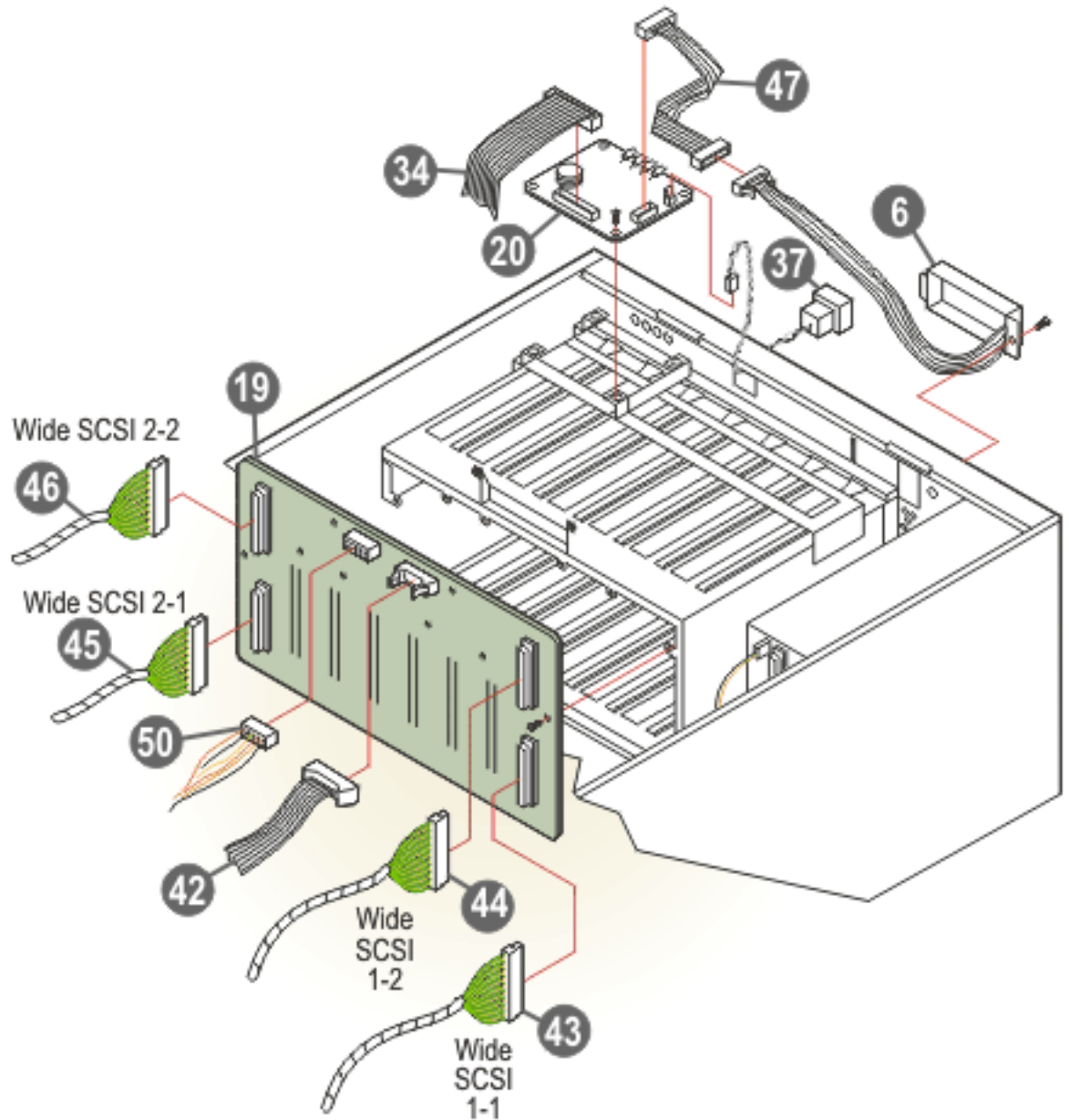
Device Module

Tape Tray



Stratus® ftServer™ 3210/3220 Illustrated Parts System Base (Inside-Front)

Direct your cursor over the numbered tags to display a component's name.
Selecting a tag will move the corresponding part number to the top of the part list.



[contact](#) | [site feedback](#) | [copyright & trademark](#) | [privacy policy](#)

**ftServer
Illustrated Parts**

User Instructions

Revision/Notice

**System Base
(Front)**

**System Base
(Inside-Front)**

System Base (Rear)

Main Board

Power Board Tray

CPU Module

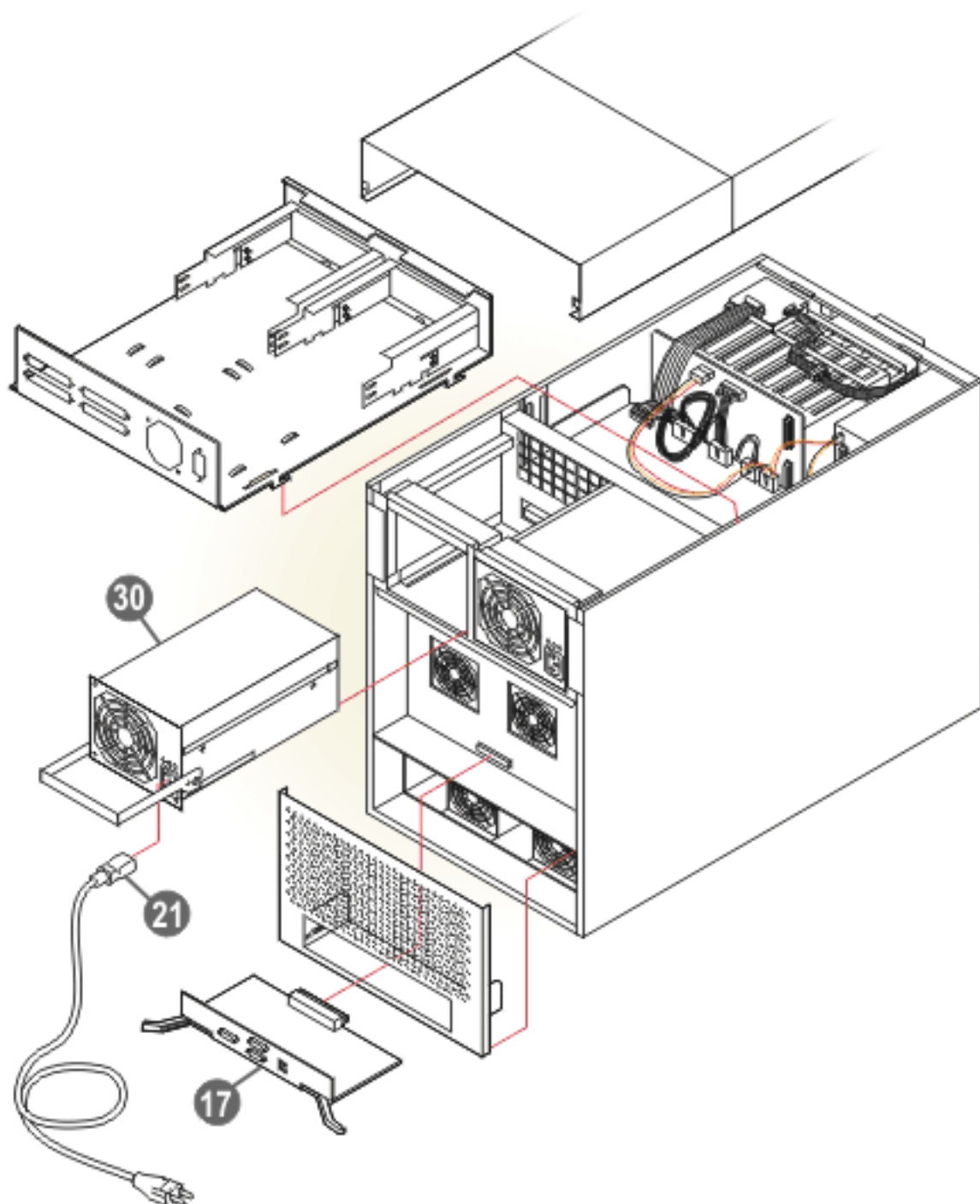
PCI Module

Device Module

Tape Tray

Stratus® ftServer™ 3210/3220 Illustrated Parts System Base Rear

Direct your cursor over the numbered tags to display a component's name. Selecting a tag will move the corresponding part number to the top of the part list.



ftServer Illustrated
Parts

User Instructions

Revision/Notice

System Base (Front)

System Base (Inside-
Front)

System Base (Rear)

Main Board

Power Board Tray

CPU Module

PCI Module

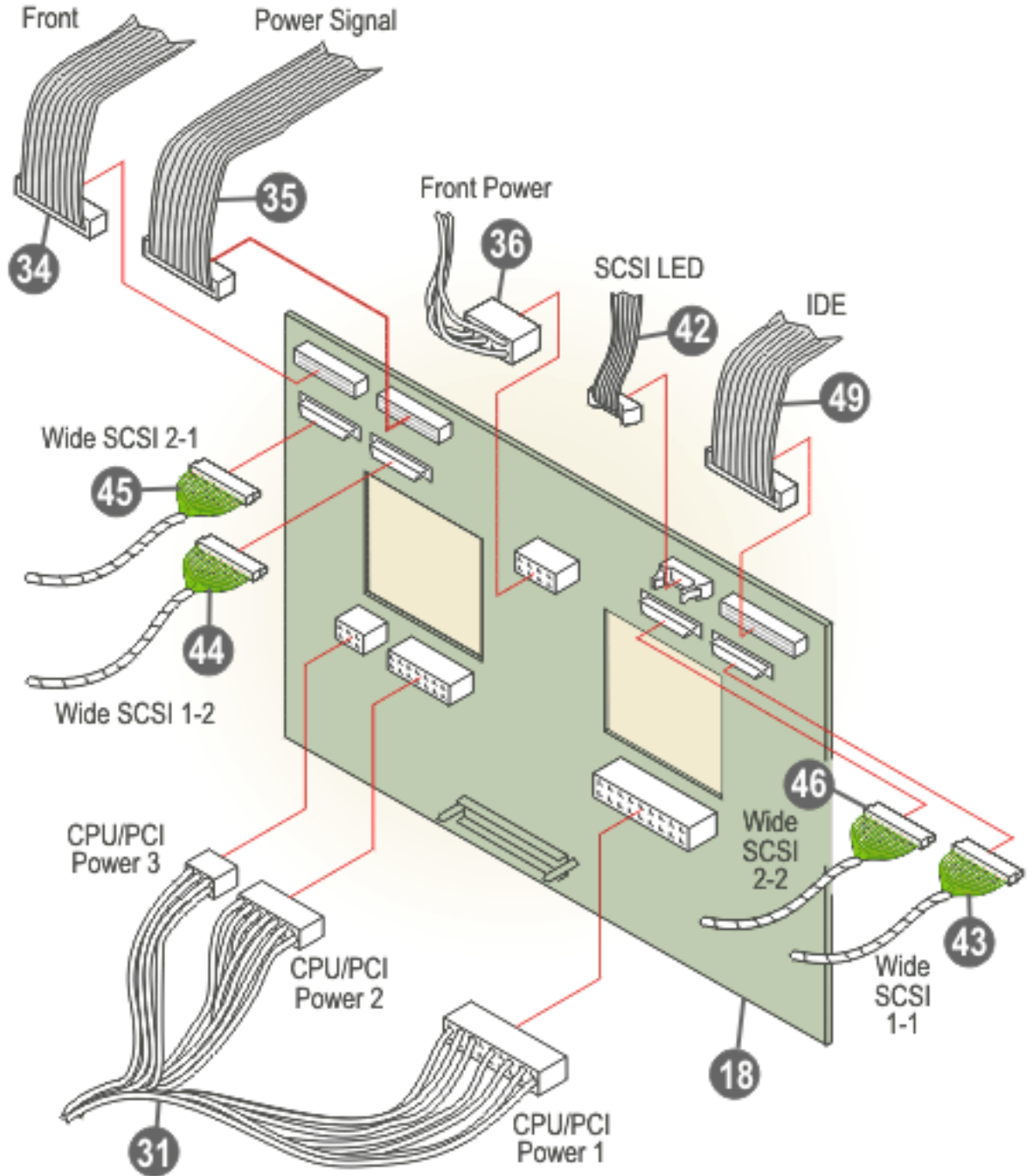
Device Module

Tape Tray



Stratus® ftServer™ 3210/3220 Illustrated Parts Main Board

Direct your cursor over the numbered tags to display a component's name.
Selecting a tag will move the corresponding part number to the top of the part list.



ftServer Illustrated
Parts

User Instructions

Revision/Notice

System Base (Front)

System Base (Inside-
Front)

System Base (Rear)

Main Board

Power Board Tray

CPU Module

PCI Module

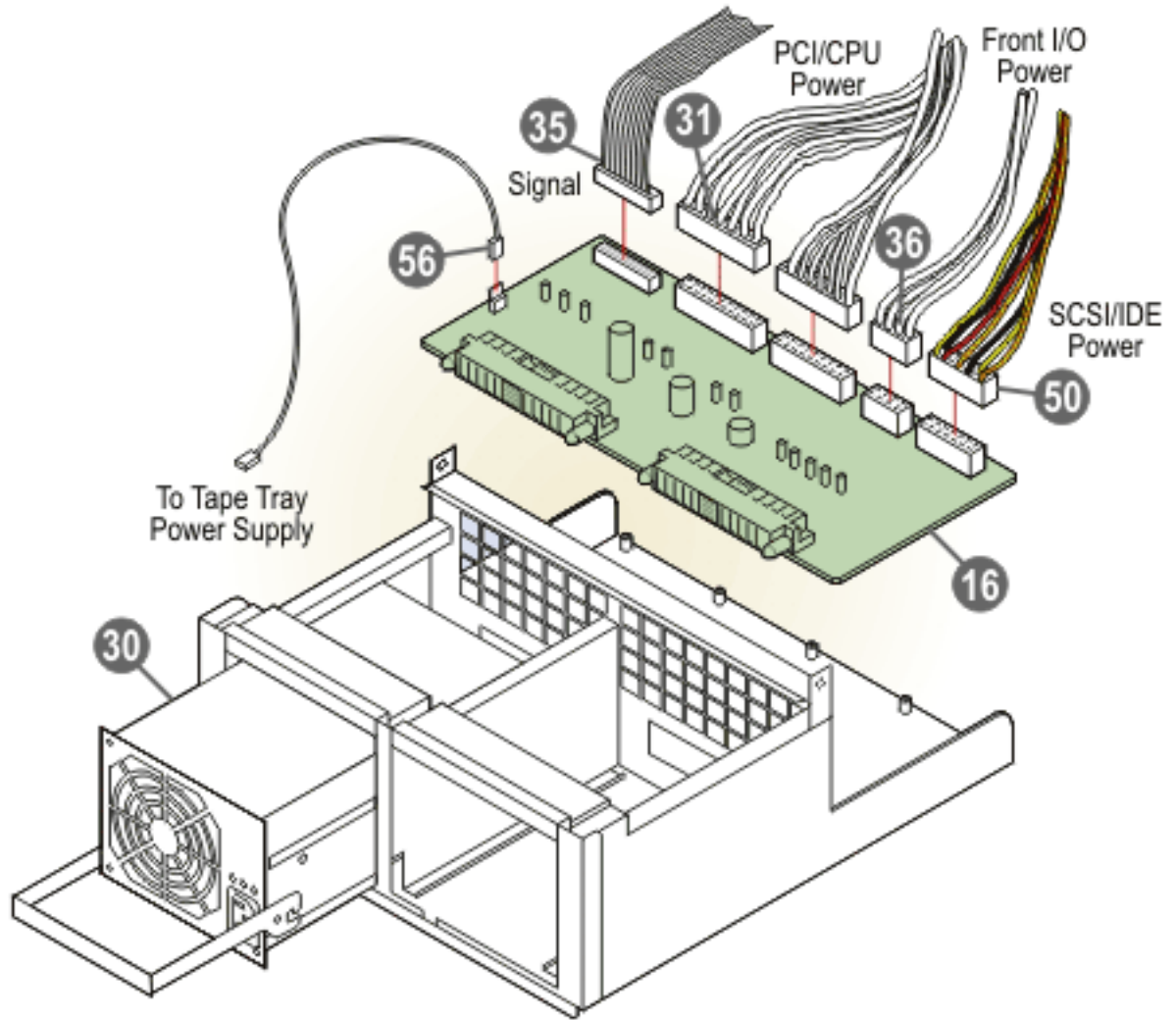
Device Module

Tape Tray

Stratus® ftServer™ 3210/3220 Illustrated Parts

Power Board Tray

Direct your cursor over the numbered tags to display a component's name.
Selecting a tag will move the corresponding part number to the top of the part list.



[contact](#) | [site feedback](#) | [copyright & trademark](#) | [privacy policy](#)

Stratus® ftServer™ 3210/3220 Illustrated Parts

CPU Module

Direct your cursor over the numbered tags to display a component's name. Selecting a tag will move the corresponding part number to the top of the part list.

ftServer Illustrated Parts

User Instructions

Revision/Notice

System Base (Front)

System Base (Inside-Front)

System Base (Rear)

Main Board

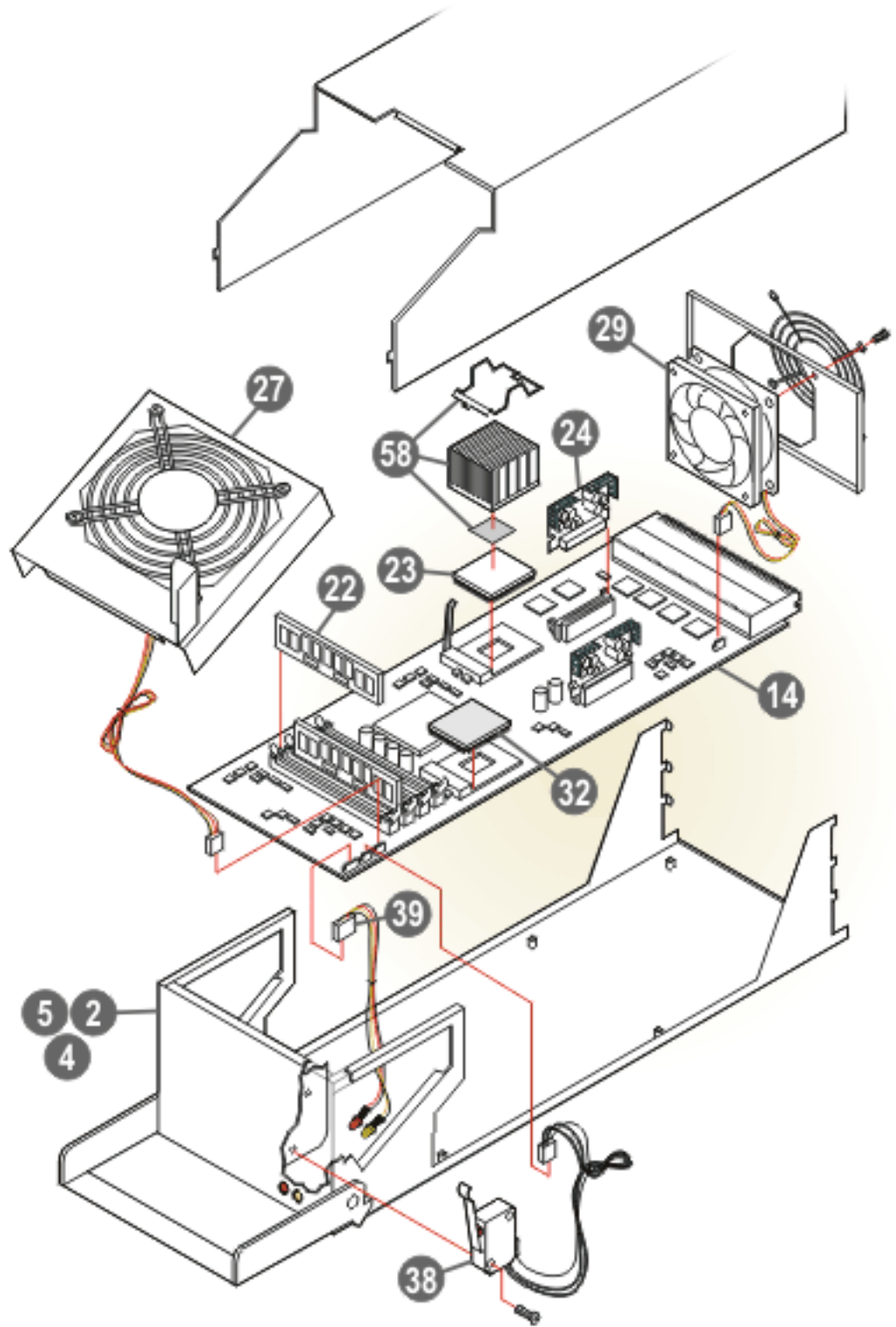
Power Board Tray

CPU Module

PCI Module

Device Module

Tape Tray



ftServer Illustrated
Parts

User Instructions

Revision/Notice

System Base (Front)

System Base (Inside-
Front)

System Base (Rear)

Main Board

Power Board Tray

CPU Module

PCI Module

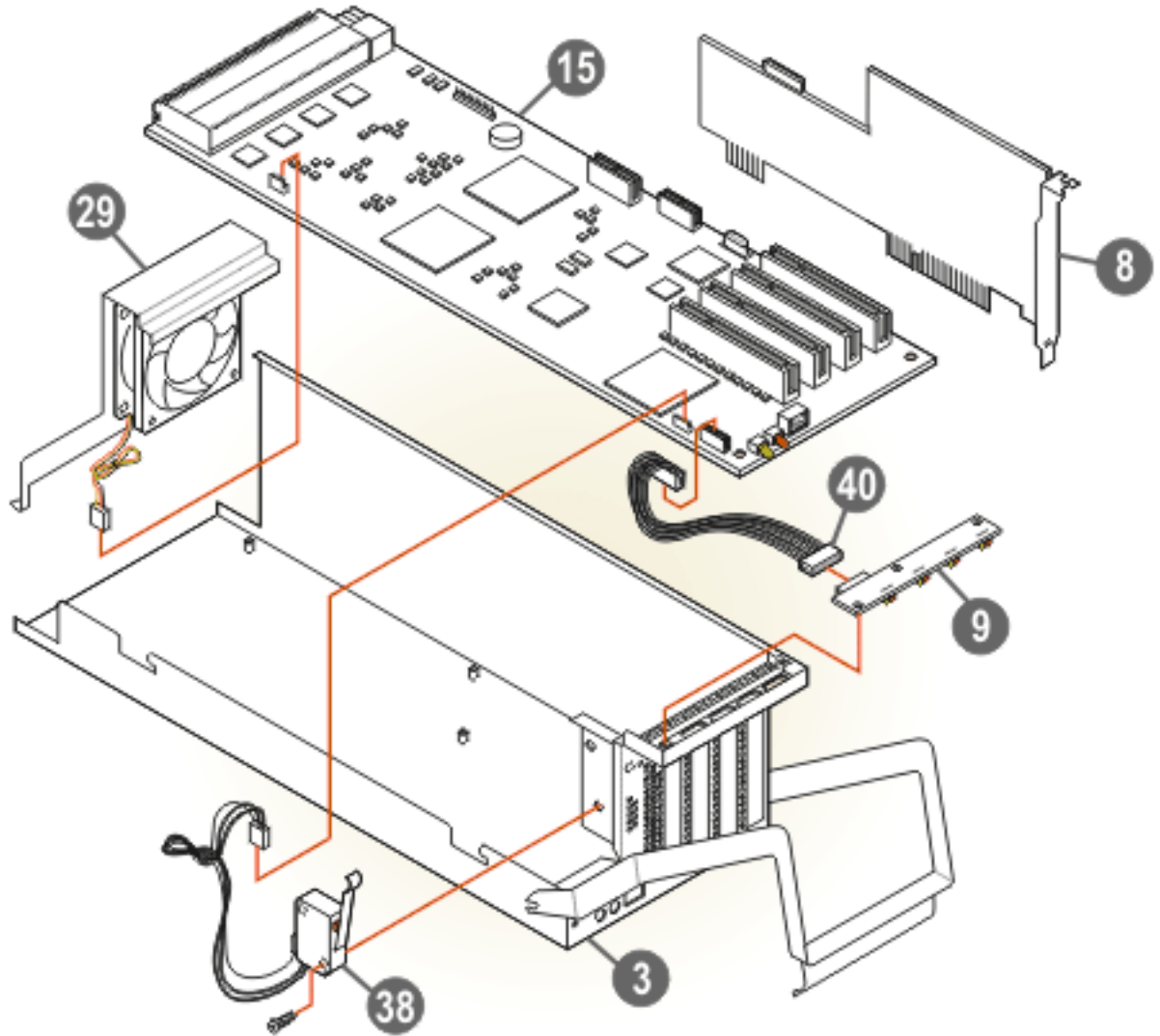
Device Module

Tape Tray



Stratus® ftServer™ 3210/3220 Illustrated Parts PCI Module

Direct your cursor over the numbered tags to display a component's name.
Selecting a tag will move the corresponding part number to the top of the part list.



[contact](#) | [site feedback](#) | [copyright & trademark](#) | [privacy policy](#)

ftServer Illustrated
Parts

User Instructions

Revision/Notice

System Base (Front)

System Base (Inside-
Front)

System Base (Rear)

Main Board

Power Board Tray

CPU Module

PCI Module

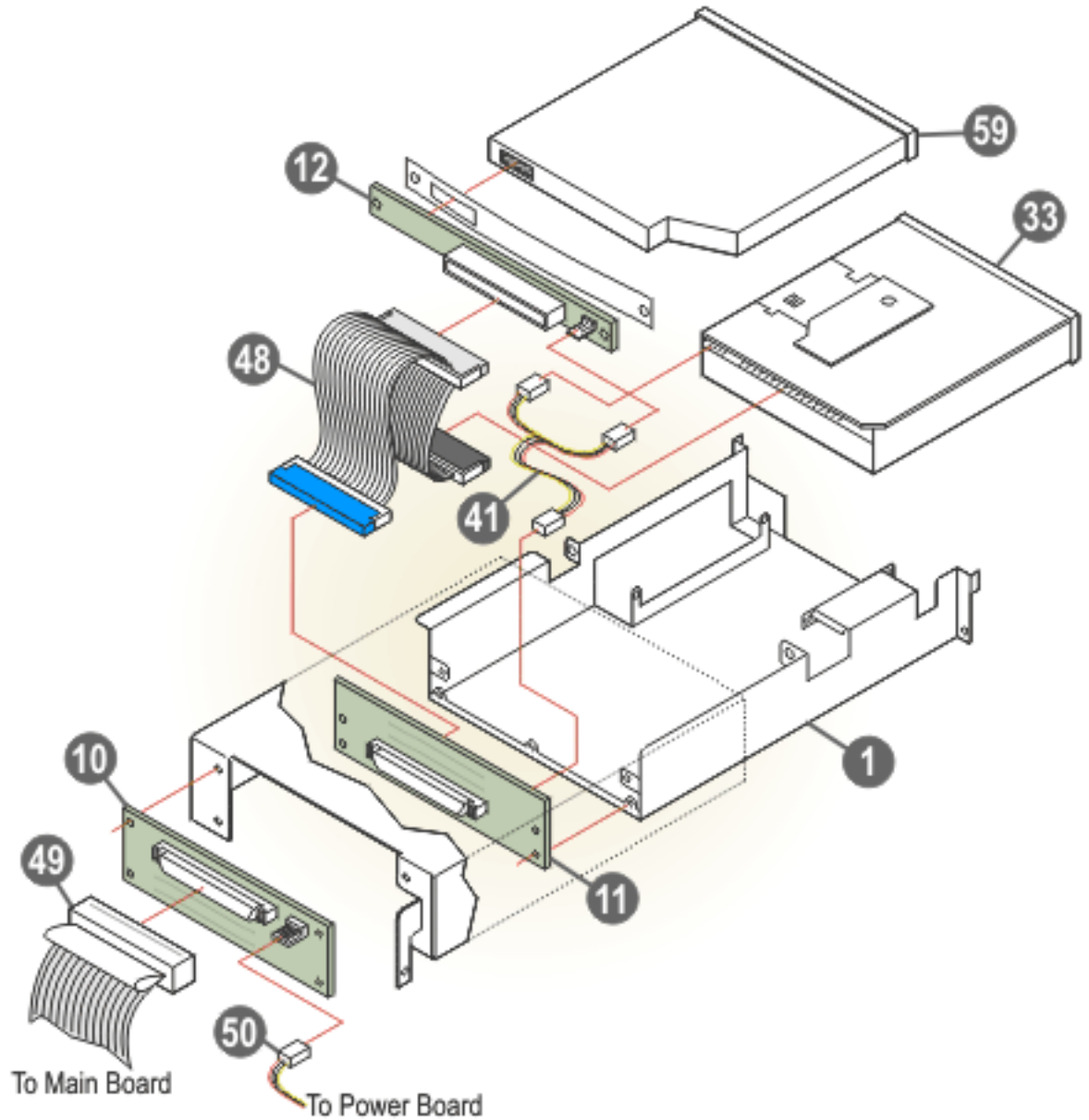
Device Module

Tape Tray



Stratus® ftServer™ 3210/3220 Illustrated Parts Device Module

Direct your cursor over the numbered tags to display a component's name.
Selecting a tag will move the corresponding part number to the top of the part list.



[contact](#) | [site feedback](#) | [copyright & trademark](#) | [privacy policy](#)

ftServer Illustrated
Parts

User Instructions

Revision/Notice

System Base (Front)

System Base (Inside-
Front)

System Base (Rear)

Main Board

Power Board Tray

CPU Module

PCI Module

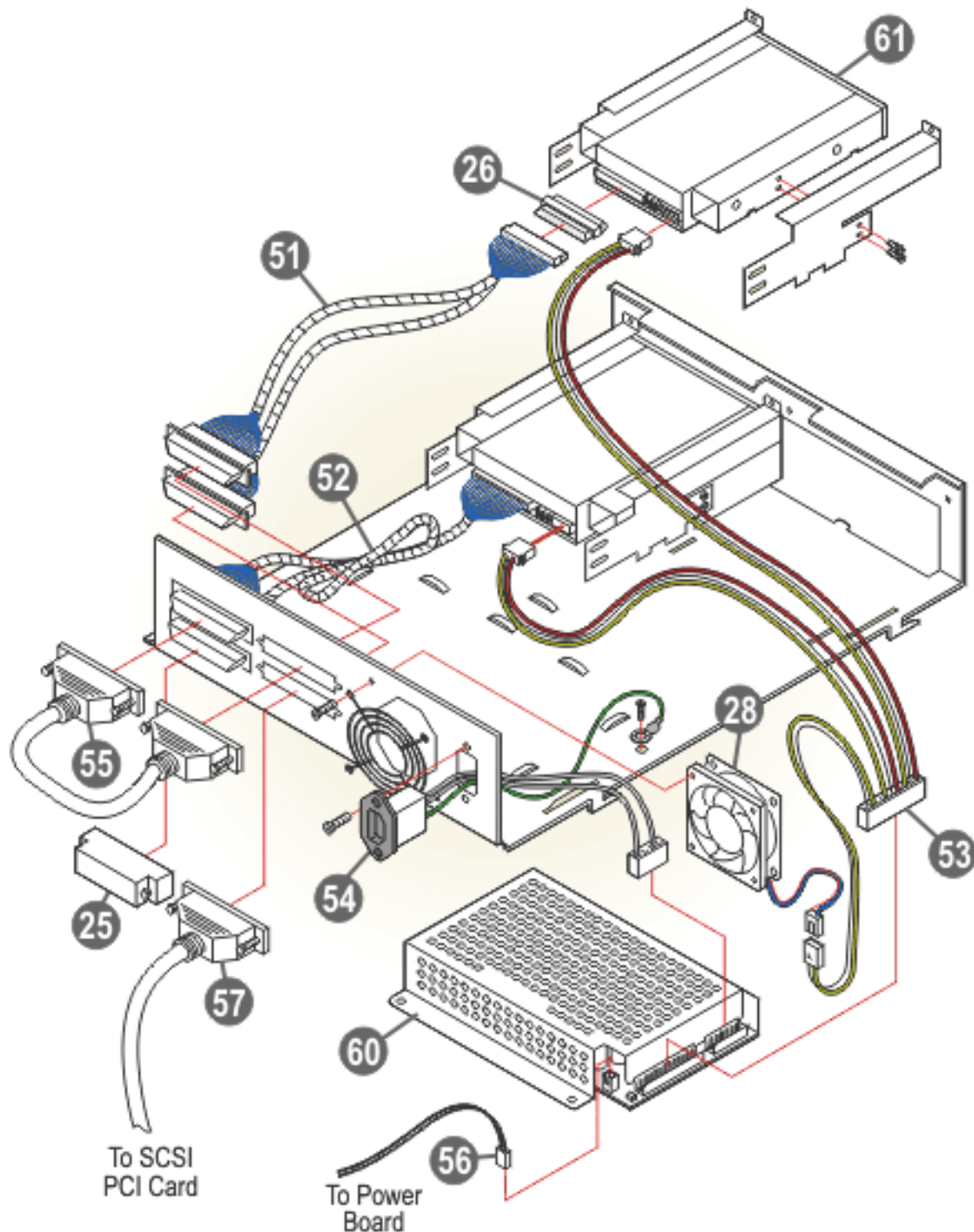
Device Module

Tape Tray



Stratus® ftServer™ 3210/3220 Illustrated Parts Tape Tray

Direct your cursor over the numbered tags to display a component's name.
Selecting a tag will move the corresponding part number to the top of the part list.



[contact](#) | [site feedback](#) | [copyright & trademark](#) | [privacy policy](#)

1 062-01884-000 CRU

Device Module (Contains CD & Floppy)

Illustration: [Device Module](#)

Illustration: [Base \(front\)](#)

2 062-01885-000 FRU

CPU Module (No Memory or CPU) - Uni Processor Only

Illustration: [Base \(front\)](#)

2 062-01903-000 FRU

CPU Module (No Memory or CPU) - Dual Processor

Illustration: [Base \(front\)](#)

3 062-01886-000 CRU

PCI Module, Xena 2 asics (No PCI Cards)

Illustration: [PCI Module](#)

Illustration: [Base \(front\)](#)

3 062-01886-001 CRU

PCI Module, Xena 3 asics (No PCI Cards)

Illustration: [PCI Module](#)

Illustration: [Base \(front\)](#)

4 062-01887-000 CRU

CPU Module (w/800 Mhz, CPU Qty 1, no Mem)

Illustration: [CPU Module](#)

5 062-01888-000 CRU

CPU Module (w/800 Mhz, CPU Qty 2, no Mem)

Illustration: [CPU Module](#)

6 120-01519-000 FRU

WD-C1602E LCD w/Cable and Sheet Metal

Illustration: [Base \(front\)](#)

Illustration: [Base \(inside-front\)](#)

8 113-639368-A CRU

Video Board (G7DTF) (ft3210 only)

Illustration: [PCI Module](#)

9 133-639369-B DRU

LED Board (G7DTG)

Illustration: [PCI Module](#)

10 133-639658-B FRU

IDE-S Board (G7EPC)

Illustration: [Device Module](#)

11 133-639659-B DRU

IDE-M Board (G7EPD)

Illustration: [Device Module](#)

12 133-639660-C DRU

CD-ROM Adapter (G7EPE)

Illustration: [Device Module](#)

14 243-630153-D DRU

CPU Board (G7FMU) - Uni Processor
Only

Illustration: [CPU Module](#)

14 243-630489-B DRU

CPU Board (G7FML) - Dual Processor

Illustration: [CPU Module](#)

15 243-630154-D DRU

PCI Board (G7FMU)

Illustration: [PCI Module](#)

15 243-630788-A DRU

PCI Board (G7GEP) Xena 3 Version

Illustration: [PCI Module](#)

16 243-630227-C FRU

Power Board (G7FQA)

Illustration: [Power Board Tray](#)

17 243-630238-C FRU

I/O Board (G7FQJ)

Illustration: [Base \(rear\)](#)

18 243-630239-A DRU

Main Board (G7FQK)

Illustration: [Main Board](#)

19 243-630262-A DRU

SCSI Backplane(G7FRH)

Illustration: [Base \(inside-front\)](#)

20 243-630263-A FRU

Front Panel Board (G7FMU)

Illustration: [Base \(inside-front\)](#)

21 307-00012-000 CRU

Power Cord, U.S. Domestic 120V/15A

Illustration: [Base \(rear\)](#)

21 307-00013-000 CRU

Power Cord, Great Britain 250V/10A

Illustration: [Base \(rear\)](#)

21 307-00014-000 CRU

Power Cord, Continental Europe
250V/10A

Illustration: [Base \(rear\)](#)

21 307-00015-000 CRU

Power Cord, Israel 250V/10A

Illustration: [Base \(rear\)](#)

21 307-00018-000 CRU

Power Cord, Australia 250V/10A

Illustration: [Base \(rear\)](#)

21 307-00019-000 CRU

Power Cord, Japan, 100V/15A

Illustration: [Base \(rear\)](#)

21 307-00021-000 CRU

Power Cord, Japan, 200V/13A

Illustration: [Base \(rear\)](#)

21 307-00021-000 CRU

Power Cord, South Africa (2m or 2.5m)
C13 to ZA-3, 250V/10A

Illustration: [Base \(rear\)](#)

22 609-01531-000 FRU

256MB DIMM PC133

Illustration: [CPU Module](#)

22 609-01532-000 FRU

512MB DIMM PC133

Illustration: [CPU Module](#)

23 802-143781-247A FRU

800Mhz Pentium III CPU

Illustration: [CPU Module](#)

24 802-187937-001A FRU

Voltage Regulator

Illustration: [CPU Module](#)

25 802-710524-568A DRU

Wide-SCSI Terminator

Illustration: [Tape Tray](#)

26 802-710586-001A DRU

SCSI Converter (68 pin to 50 pin)

Illustration: [Tape Tray](#)

27 802-860106-040A FRU

Fan A (Front Fan)

Illustration: [CPU Module](#)

28 802-860107-221A DRU

Fan, 60mm

Illustration: [Tape Tray](#)

29 802-860110-140A FRU

Fan B

Illustration: [CPU Module](#)

Illustration: [PCI Module](#)

30 804-021719-001B CRU

450W Power Supply

Illustration: [Base \(rear\)](#)

Illustration: [Power Board Tray](#)

31 804-062920-070A DRU

Main DC Cable (070)

Illustration: [Power Board Tray](#)

Illustration: [Main Board](#)

32 804-091375-0010 FRU

CPU Terminator (FC-PGA)

Illustration: [CPU Module](#)

33 804-091490-5010 DRU

Super Disk 120MB

Illustration: [Device Module](#)

33 856-120356-2400 DRU

Super Disk 240MB

Illustration: [Device Module](#)

34 808-744465-070A DRU

Box-34P Cable (070)

Illustration: [Main Board](#)

Illustration: [System \(inside-front\)](#)

35 808-744466-080A DRU

Box-30P Cable (080)

Illustration: [Main Board](#)

Illustration: [System \(inside-front\)](#)

36 808-744467-080A DRU

12-pin DC Cable (080)

Illustration: [Power Board Tray](#)

Illustration: [Main Board](#)

37 808-744469-010A FRU

Power Switch Cable (010)

Illustration: [System \(inside-front\)](#)

38 808-744495-028A DRU

Open Sensor Cable

Illustration: [CPU Module](#)

Illustration: [PCI Module](#)

39 808-744496-021A DRU

CPU LED Cable

Illustration: [CPU Module](#)

40 808-744497-028A DRU

PCI LED Relay Cable

Illustration: [PCI Module](#)

41 808-744499-001A DRU

Plugin DC Cable

Illustration: [Device Module](#)

42 808-744570-075A DRU

Box-10P Cable (075)

Illustration: [Main Board](#)

Illustration: [System \(inside-front\)](#)

43 808-744571-001A DRU

Internal LVD SCSI Cable (001)

Illustration: [Main Board](#)

Illustration: [System \(inside-front\)](#)

44 808-744571-002A DRU

Internal LVD SCSI Cable (002)

Illustration: [Main Board](#)

Illustration: [System \(inside-front\)](#)

45 808-744571-003A DRU

Internal LVD SCSI Cable (003)

Illustration: [Main Board](#)

Illustration: [System \(inside-front\)](#)

46 808-744571-004A DRU

Internal LVD SCSI Cable (004)

Illustration: [Main Board](#)

Illustration: [System \(inside-front\)](#)

47 808-744578-012B FRU

LCD Relay Cable

Illustration: [System \(inside-front\)](#)

48 808-744608-014B DRU

Ultra ATA66 IDE2 Cable (014)

Illustration: [Device Module](#)

49 808-744609-050B DRU

Ultra ATA66 IDE Cable (050)

Illustration: [Main Board](#)

Illustration: [Device Module](#)

50 808-744616-001A DRU

Device DC3 Cable (001)

Illustration: [Power Board Tray](#)

Illustration: [System \(inside-front\)](#)

Illustration: [Device Module](#)

51 808-744621-001A DRU

SCSI-Wide 3conn Cable (001)

Illustration: [Tape Tray](#)

52 808-744621-002A DRU

SCSI-Wide 3conn Cable (002)

Illustration: [Tape Tray](#)

53 808-744622-400A DRU

Dev-Bay DC Cable (400)

Illustration: [Tape Tray](#)

54 808-744623-140A DRU

AC Inlet Cable (140)

Illustration: [Tape Tray](#)

55 808-744624-030A DRU

SCSI-Wide EX Short Cable (030)

Illustration: [Tape Tray](#)

56 808-744625-500B DRU

PWRGD Sensor Cable

Illustration: [Tape Tray](#)

57 808-744640-150A DRU

SCSI-Wide Extra Long Cable (150)

Illustration: [Tape Tray](#)

Illustration: [PCI Module](#)

58 808-815085-656A FRU

Heat Sink w/Thermal Interface

Illustration: [CPU Module](#)

59 808-879312-101A DRU

CD-ROM

Illustration: [Device Module](#)

60 808-892443-0010 DRU

JWT75-522/RC Power Supply

Illustration: [Tape Tray](#)

61 808-895268-002A FRU

DDS-4 Drive

Illustration: [Tape Tray](#)